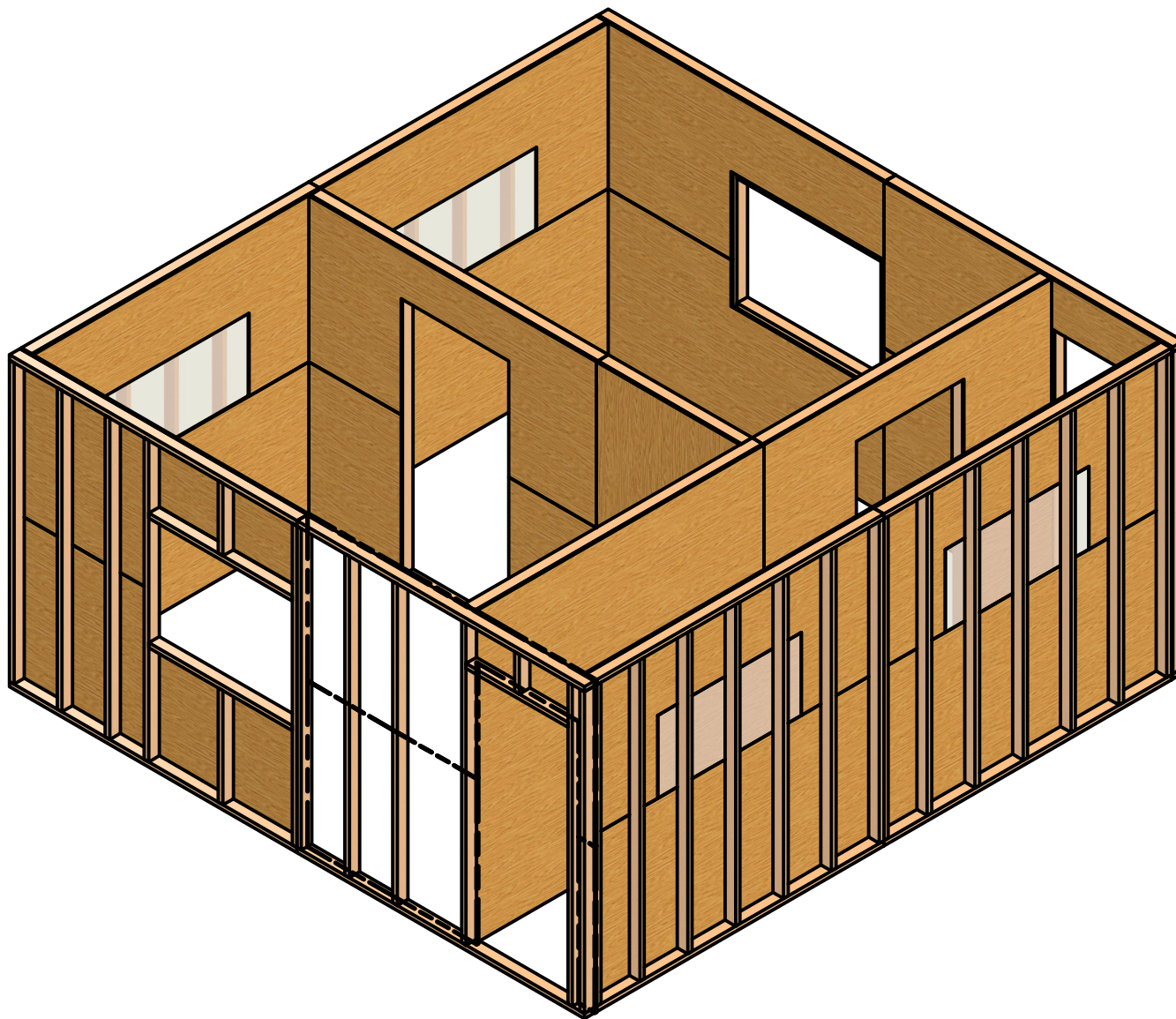
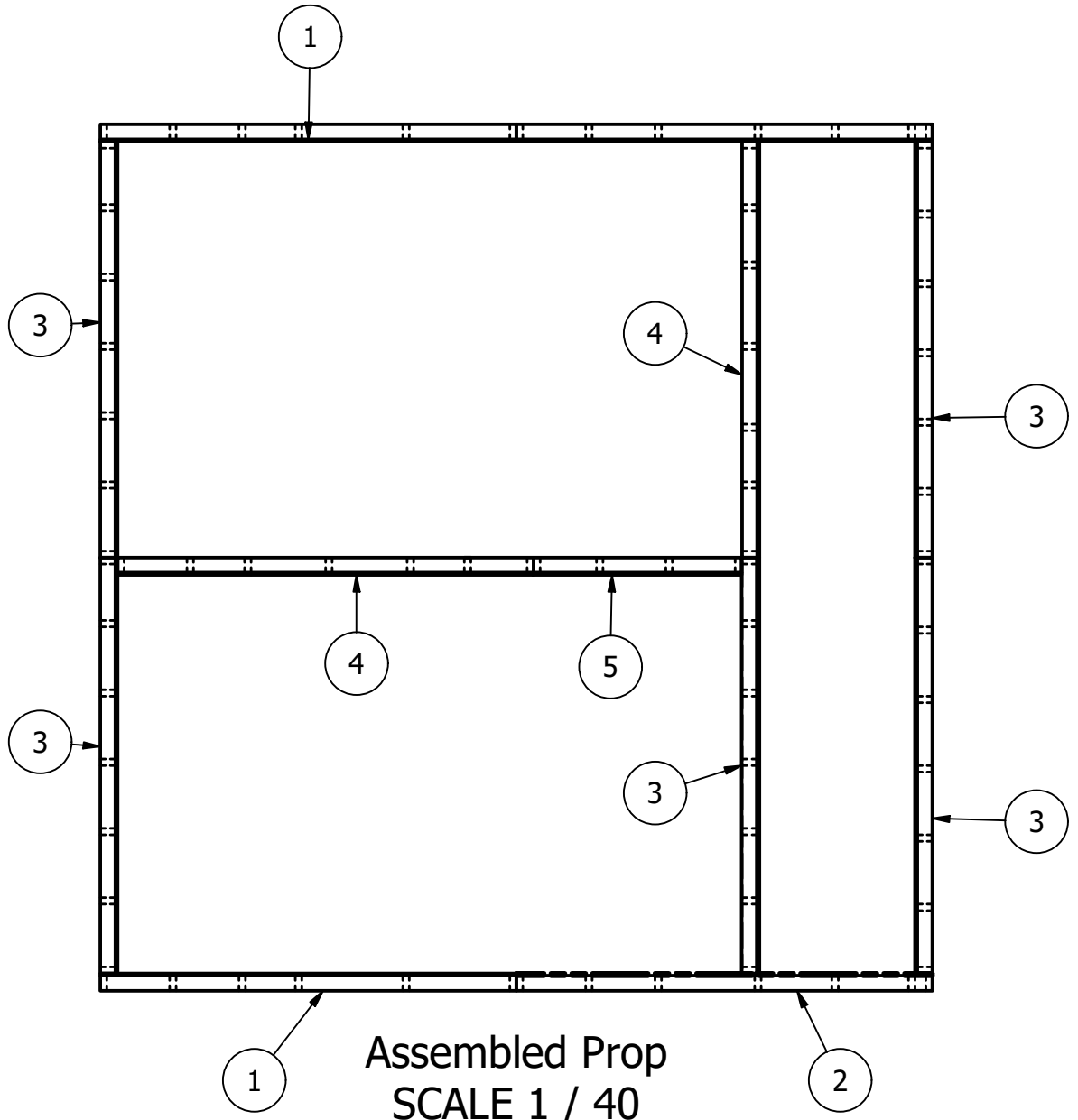


# UL FSRI

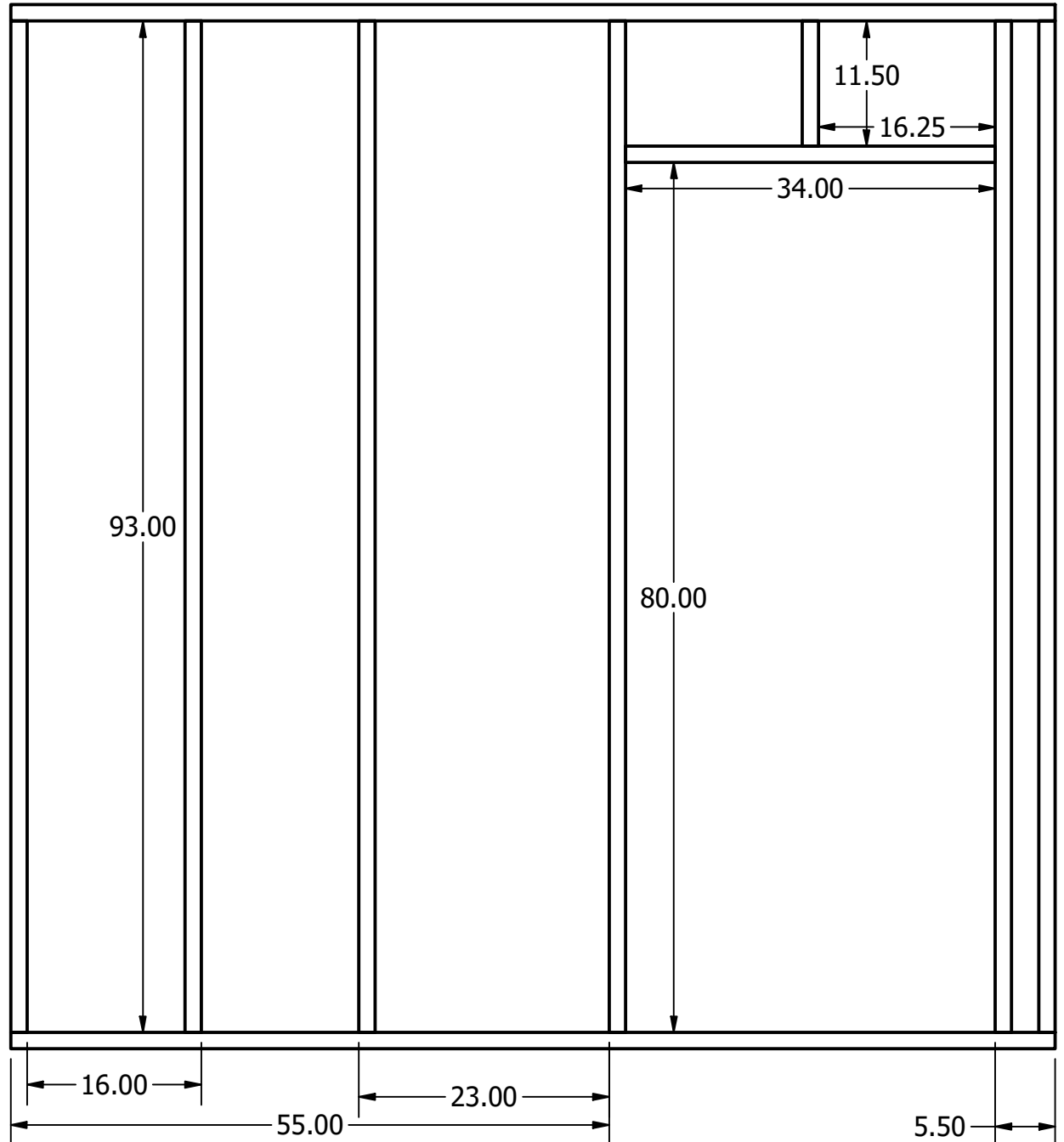


PARTS LIST			
ITEM	QTY	PART NUMBER	DESCRIPTION
1	2	Window Wall	
2	2	Side Door Wall	
3	5	Viewport Wall	
4	2	Door Wall	
5	1	4ft Wall	



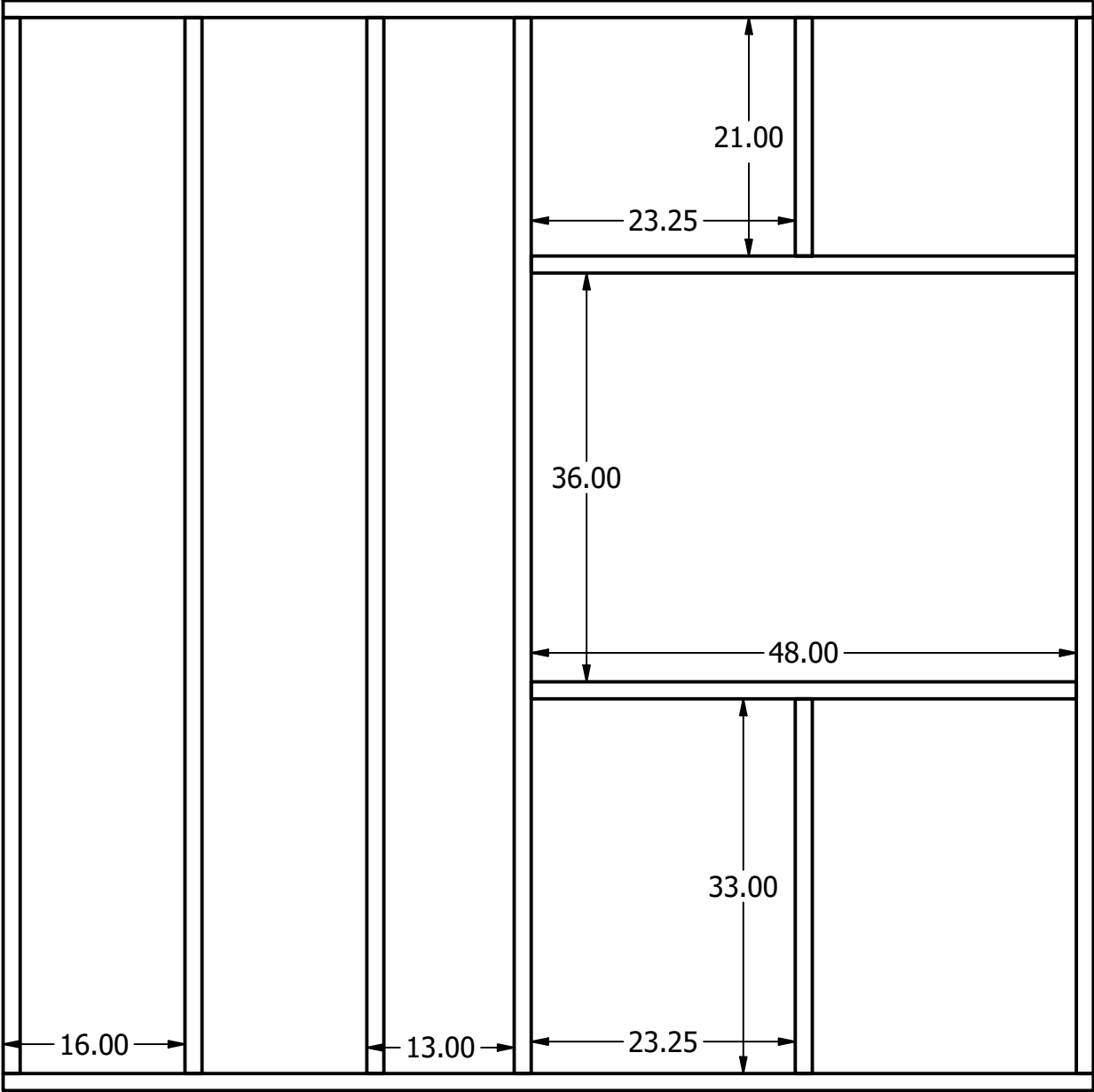
# EXTERIOR DOOR WALL

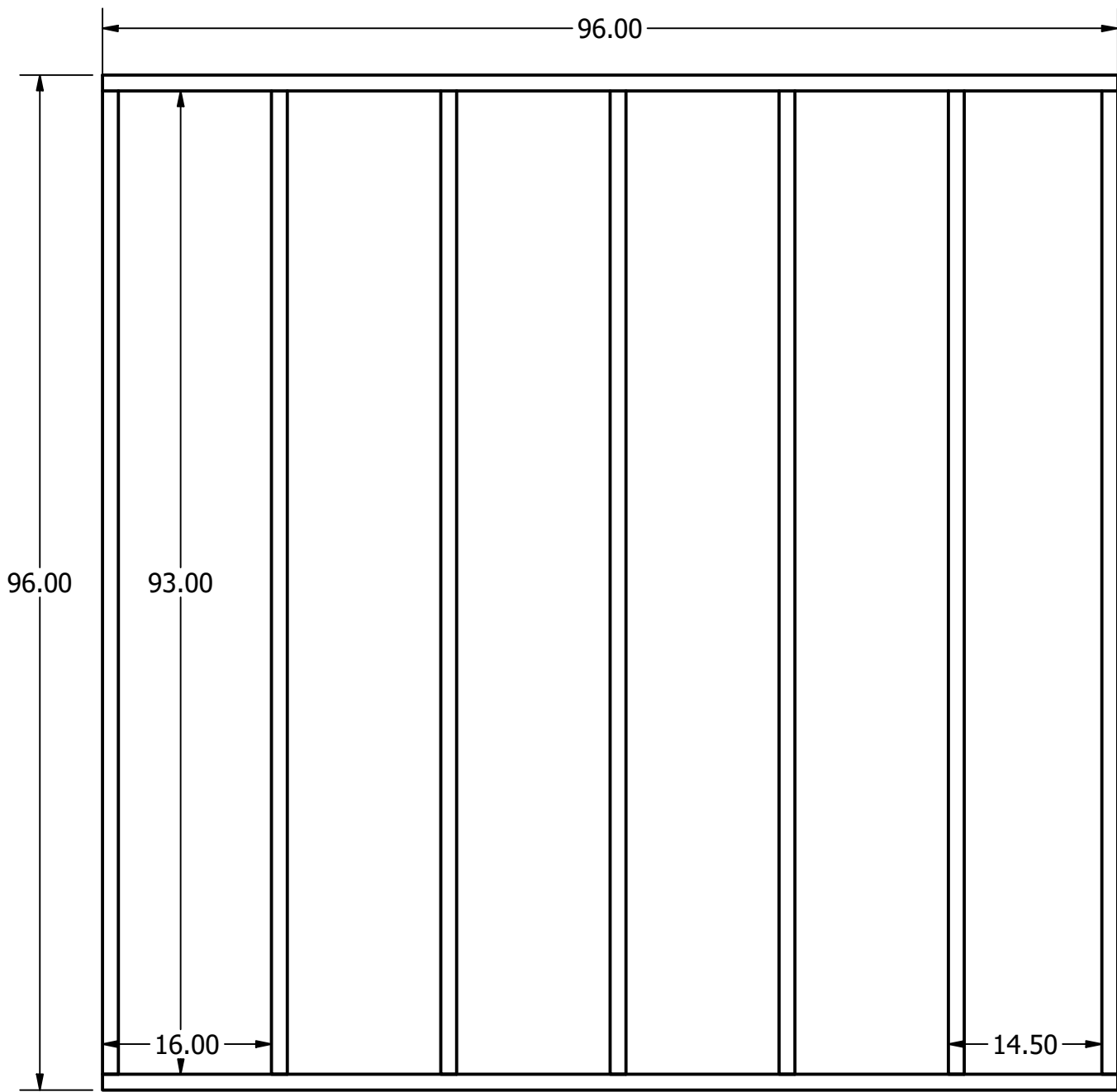
LUMBER		
QTY	PART NUMBER	DESCRIPTION
6	Stud	93"
1	Door Cripple Stud	11 1/2"
1	Door Header	34"
2	Top/Bottom Plate	96"



# EXTERIOR WINDOW WALL

LUMBER		
QTY	PART NUMBER	DESCRIPTION
2	Top/Bottom Plate	96"
5	Stud	93"
1	Window Bottom Cripple	33"
1	Window Sill	48"
1	Window Header	48"
1	Window Top Cripple	21"





LUMBER			
ITEM	QTY	PART NUMBER	DESCRIPTION
1	2	Top/Bottom Plate	96"
2	7	Stud	93"

PARTS LIST			
ITEM	QTY	PART NUMBER	DESCRIPTION
1	2	4ft Bottom Plate	
2	4	Stud	93"
3	1	4x8 Ply	

